

# PH300T, PH580T and PH1100T

## Sealed Hydraulic Hand Pumps

The sealed hydraulic hand pumps that are used to provide up to 10,000psi / 700Bar of hydraulic pressure to single acting hydraulic systems.

The PH300T, PH580T and PH1100T pumps are equipped with two outlet ports with individual control valves, this enables the operator to control two hydraulic systems independently or synchronized if both valves are left open.

The PH pump range are equipped with a flexible reservoir that contracts when oil is pumped from the reservoir into the system – this removes the requirement for an air vent and eliminates the possibility of accidental oil spillage from the reservoir.

The flexible reservoir enables the pump to be used in any orientation without the risk of air entering the hydraulic system. It also prevents contamination or debris entering the hydraulic system from the atmosphere.

- Max Pressure 10,000psi 700bar.
- High durability High Quality low Maintenance design.
- 100% Pressure tested and certified.
- Light weight for easy handling.
- Two speed design for faster operation and lower handle force.

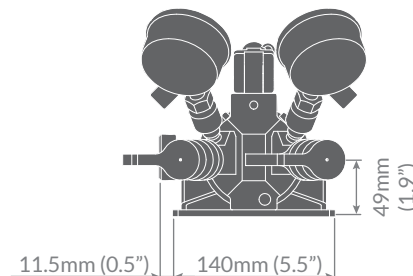
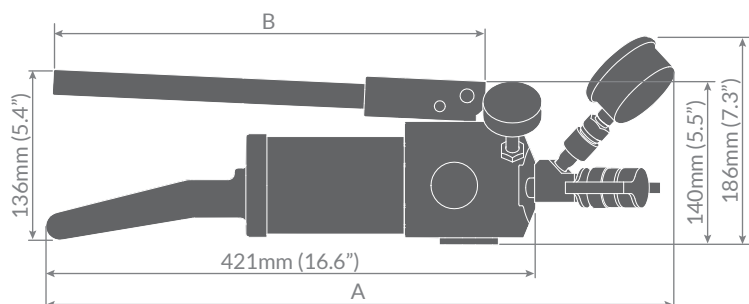


Engineered Energy Equipment

Product Sales | Product Rental | Bespoke Solutions

# PH300T, PH580T and PH1100T

Sealed Hydraulic Hand Pumps



Pump Type	Reservoir Capacity CC	Length A mm/inches	Length B mm/inches	Pump Weight Kg/lbs
PH300T	300	554/21.8	360/14.2	5.5/12.1
PH580T	580	643/25.3	490/19.3	6.0/13.2
PH1100T	1100	867/34.1	537/21.1	7.0/15.4

## Kit Content: PH300T

- 1 x PH300T Sealed Hydraulic Hand Pump.
- 2 x Hydraulic Pressure Gauge.
- 2 x Hydraulic Gauge Adaptor.
- 2 x 3/8" Female half screw coupler
- 1 x Instruction Manual

Product ordering code: PH300T

## Kit Content: PH580T

- 1 x PH580T Sealed Hydraulic Hand Pump.
- 2 x Hydraulic Pressure Gauge.
- 2 x Hydraulic Gauge Adaptor.
- 2 x 3/8" Female half screw coupler
- 1 x Instruction Manual

Product ordering code: PH580T

## Kit Content: PH1100T

- 1 x PH1100T Sealed Hydraulic Hand Pump.
- 2 x Hydraulic Pressure Gauge.
- 2 x Hydraulic Gauge Adaptor.
- 2 x 3/8" Female half screw coupler
- 1 x Instruction Manual

Product ordering code: PH1100T



Engineered Energy Equipment

Product Sales | Product Rental | Bespoke Solutions

[www.renquip.com](http://www.renquip.com)

Unit 1 Dunnottar House, Howe Moss Drive, Dyce, Aberdeen, AB21 0FN  
+44(0) 1224001861 | [info@renquip.com](mailto:info@renquip.com)